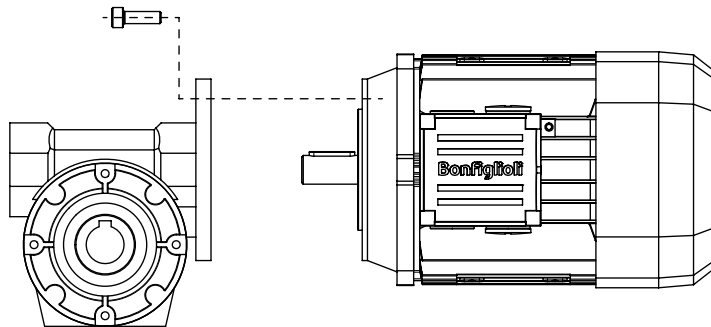


**B5 - Motor Mounting Large Flange  
(for Motor with Through Holes)**



**B14 - Motor Mounting Small Flange  
(for Motor with Threaded Holes)**